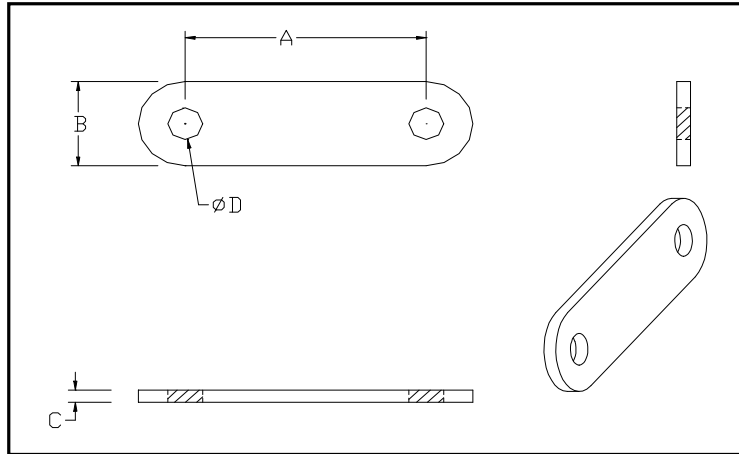




SHACKLE LINK / STRAP PRODUCTS AS OF 12/1/2008



PART #	A	B	C	D
PS-SL1	2"	1.25"	0.220"	0.563"
PS-SL2	2.25"	1.25"	0.220"	0.563"
PS-SL3	2.5"	1.25"	0.220"	0.563"
PS-SL4	3.125"	1.25"	0.220"	0.563"
PS-SL5	2.75"	1.5"	0.220"	0.563"
PS-SL6	4"	1.5"	0.220"	0.563"
PS-SL7	5.562"	1.5"	0.25"	0.563"
PS-SL8	3.125"	1.5"	0.220"	0.563"
PS-SL9	4"	1.5"	0.25"	0.563"
PS-SL10	5.25"	1.5"	0.25"	0.563"
PS-SL11	2.25"	1.5"	0.220"	0.563"
PS-SL12	4.25"	1.25"	0.220"	0.563"
PS-SL13	3.75"	1.5"	0.220"	0.563"
PS-SL14	2.5"	1.5"	0.220"	0.563"
PS-SL15	3.625"	1.25"	0.220"	0.563"
PS-SL16	2.625"	1.25"	0.220"	0.563
PS-SL17	4.625"	1.25"	0.220"	0.563"
PS-SL18	4.5"	1.5"	0.220"	0.563"

NOTE: All Shackles can be run from EITHER 4 GA or 0.25" thickness material